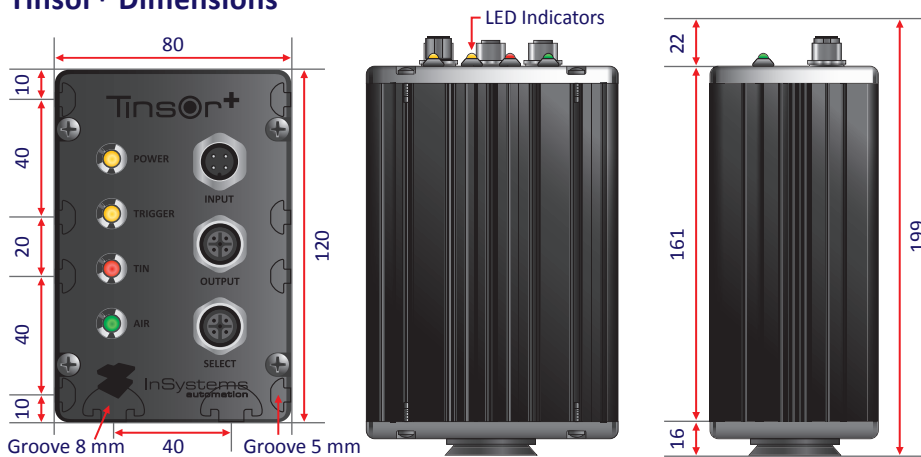


## Tinsor+ Dimensions

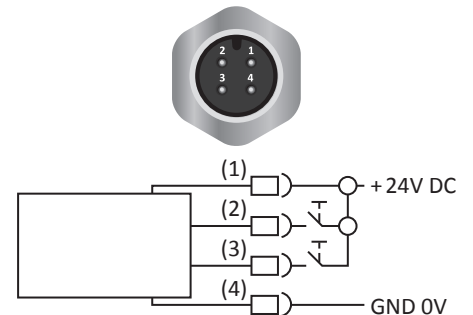


**Tinsor+**  
**Tin side detector plus**  
 Version number: 1.0 2013

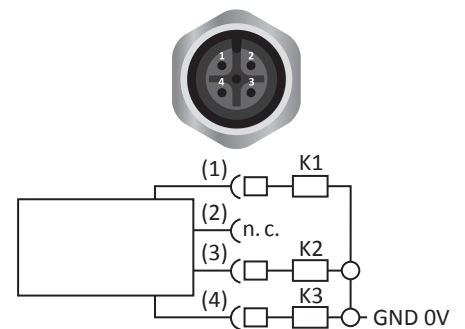
## Technical data

General	
Function:	Tin side detector
Light source:	UVC LED, UVTOP255 TO-39 Ball Lens
Wavelength UVC LED:	255 nm (on request 240-400 nm)
Camera:	OV6120 B/W Digital camera
Mounting distance to the glass surface:	1 mm ± 0,5 mm
LED Indicators:	2 x yellow, 1 x green and 1 x red
Detection duration:	< 1 Second
Inspection procedure:	Automatically triggered by the PLC (select socket allows the user to save up to eight different teach-combinations) or manually by a start button on an external control module.
Personal safe:	Yes
Connections at the tin side detector:	Input plug M12 4-pin Output socket M12 4-pin Select socket M12 5-pin
Electric	
Operating voltage:	24 V DC
Short circuit safe:	No
Mechanics	
Housing dimensions (WxDxH):	120x 80x199 mm
Cover material (top and bottom):	Synthetic PA 3200 GF, black
Electronic housing material (WxDxH):	Aluminium profile Item (120x 80x161 mm)
Integration to the conveyor technology:	Custom mounting
Environmental conditions	
Operating temperature:	-30 to +55 °C
Sunlight/ ambient light:	Influence
Optically opaque coverage:	Necessary
Connection (Customer)	
Contact assignment on the cable:	Socket M12 4-pin, plug M12 4-pin and plug M12 5-pin

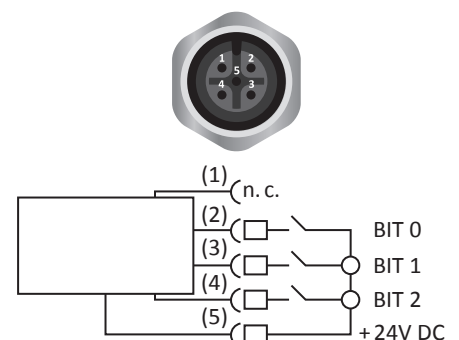
### Input plug at the detector



### Output socket at the detector



### Select socket at the detector



More information on [www.tinsor.com](http://www.tinsor.com)  
 or on request to [info@insystems.de](mailto:info@insystems.de)

