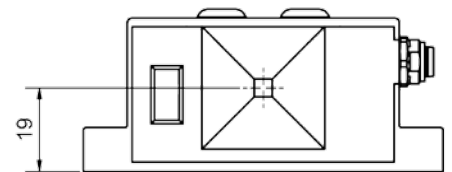
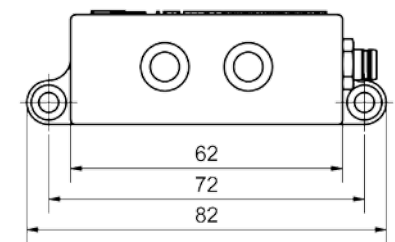
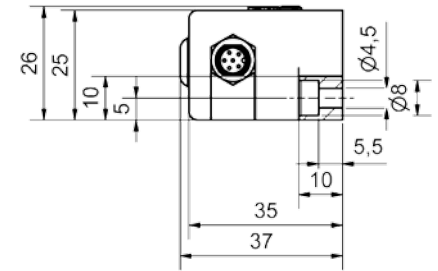
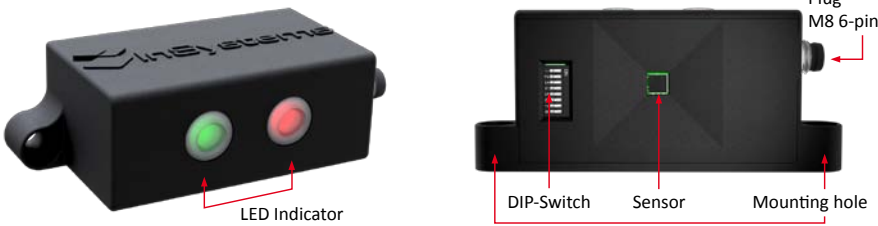


P2L - D003/D013 Pick-to-Light Sensor Digital

Version number 1.32 2019

Dimensions

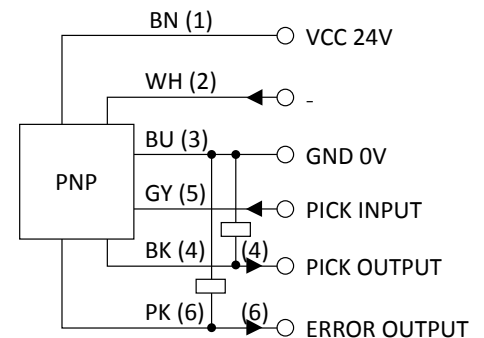


Technical Data

General	
Function:	Pick to Light
Design:	Standard/ESD
Sensor type:	Proximity- and ambient light sensor Vishay VCNL-4000
Light source:	Infrared light pulsed diode
Wavelength:	890 nm
Light pulse rate/ frequency:	390 kHz
Reach:	ca. 0 - 200 mm depending on reflecting surface
Optimal distance:	50-150 mm
Pick-indicator:	LED green, 4 brightness settings
Mistake-indikator:	LED red, 4 brightness settings
Pick-time:	0 to 8000 ms adjustable
Range adjustment:	Automatic permanent adjustment i.e. during refill-procedures
Protected against reverse polarity:	Yes
Sunlight/ Environmental light:	Barely any influence when installed as recommended
Electrical features	
Response time:	< 200 ms
Operating voltage + Vs:	24 V DC \pm 10 %
Max. current consumption (without load):	ca. 25 mA per sensor
Output circuitry:	PNP
Input circuitry:	100 mA
Protected against reverse polarity:	Yes
Short circuit-proof:	Yes
Mechanical features	
Width/ Height/ Depth:	82 x 26 x 37 mm
Weight:	40 g
Housing material:	3D-print, plastic PA 12 fine
Mounting:	2 x M4 screws
Connection:	1 x DIN 6-pin M8
Environmental Conditions	
Working temperature:	-10 to +50 °C
Connection	
Cable	Socket M8, 6 pins

Connection

Plug M8 6-pin



Further P2L-information at pick-2-light.de
or per request via p2l@insystems.de

